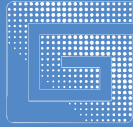


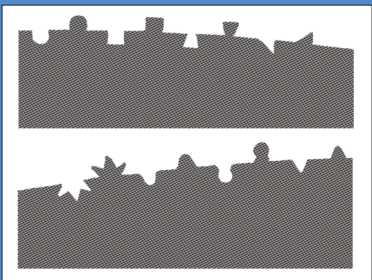
GERBERcutter® DCS 1600



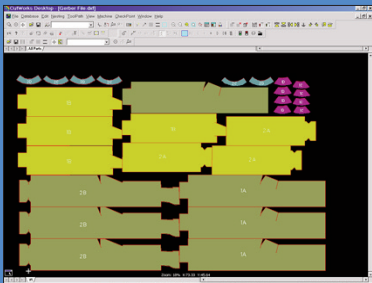
DCS 1600 is a high-speed low-ply material processing system that utilizes Gerber's Pivex cutting technology – a high-frequency oscillating cutting motion that is capable of cutting even the most complex materials with the highest of quality.



The easy-to-use keypad controls multiple machine functions at the cutter.



Pivex technology enables you to cut intricate shapes faster and more precise.



CutWorks® software offers a complete design, nesting and cutting solution.



Ultimate solution for material processing of complex materials.

Provides optimal precision, throughput, and cut quality.

- Cuts intricate shapes with great accuracy and edge quality, without sacrificing speed
- Minimizes or eliminates overcuts and hangers for ultimate edge quality
- System minimizes material movement to ensure maximum precision

Enhances automation.

- Streamlines lean manufacturing with tailored system configurations that eliminate excess labor and processes, and integrate with existing manufacturing lines
- Powerful CutWorks software automates part/ply placement for enhanced throughput and material utilization

Maximizes equipment longevity.

- Optional Ingress Protection shields vital electronic components from foreign elements including conductive carbon particles, dust, and moisture

DCS 1600

Available Options & Services

- Complete service and parts supply packages
- Training for operators, technicians and applications personnel is available
- Pneumatic vacuum shutoff for single-zone or dual-zone vacuum
- Laser pointer for precision pointing
- Ingress protection
- Nesting Video Projector: Project parts onto material to enable manual adjustments



Punch tools are available for additional cutting capability



Pivex knife

Technical Specifications

Characteristics

Fabric Height	Single Ply	
Cutting Speed (max)	1,1 m/sec	45 in/sec
Head Acceleration (max)	0,5G	200 in/sec ²
Machine Dimensions	2,44 x 2,36 m	96 x 93 in
Cutting Area	1,52 x 1,80 m	60 x 70.77 in
Table heights	10,84 or 0,86 m	33 or 34 in

Electrical Requirements

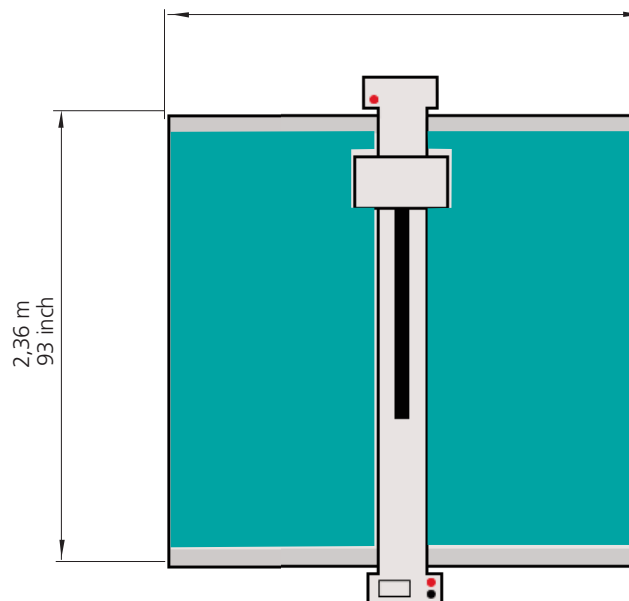
Control and Drive System	110V@20 amps, 200V-240V@10 amps, single phase 50/60Hz (4wire)	
Table Vacuum	220-440V, 3-phase, 60 Hz, 10-32 amps 220/380/440V, 3-phase 50 Hz, 80 amps	

Compressed Air	14 liters/min @ 5,5-8,3 bar	0.5 SCFM @ 80-120 PSI
----------------	-----------------------------	-----------------------

Operating Environment

Temperature (maximum)	43°C	110°F
Humidity (maximum)	95% (non-condensing)	
Vacuum System	760 m above sea level	2,500 ft. above sea level

Machine Dimensions
2,44 m
96 inch



NOTE: Configurations vary according to options selected. Specifications are subject to change without notice.

GERBERcutter® and CutWorks® are registered trademarks of Gerber Scientific.
Pivex™ is a trademark of Gerber Scientific.
Windows is a registered trademark of Microsoft Corp.
GERBERcutter products are patent protected.